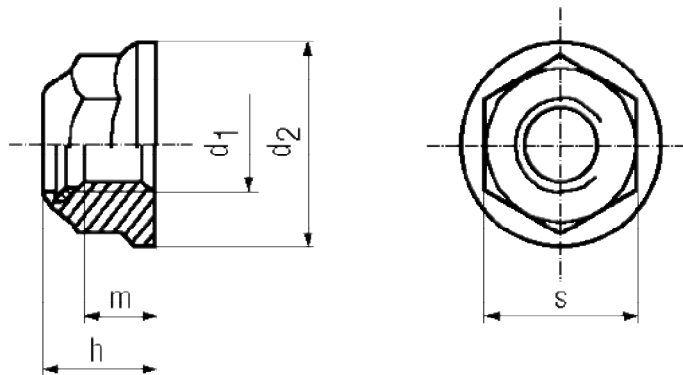




## TRANSHOW INDUSTRY LIMITED

GAOYANG RD, ZHOZHAN VILLAGE, JIANGSHAN TOWN  
 YINZHOU DISTRICT, NINGBO CITY, 315100 CHINA  
 Tel: +86-574-8736.7873 Fax: +86-574-8736.4349  
[www.transhow.net](http://www.transhow.net) Email: [transhow@transhow.net](mailto:transhow@transhow.net)

### DIN6926 PREVAILING TORQUE ALL METAL LOCK NUT



All measurements in millimeters (mm)

d	d <sub>2</sub> max.	h max.	m	s max
M5	11.8	7.1	4.7	8
M6	14.2	9.1	5.7	10
M8	17.9	11.1	7.6	13
M10	21.8	13.5	9.6	15
M12	26	16.1	11.6	18
M14	29.9	18.2	13.3	21
M16	34.5	20.3	15.3	24